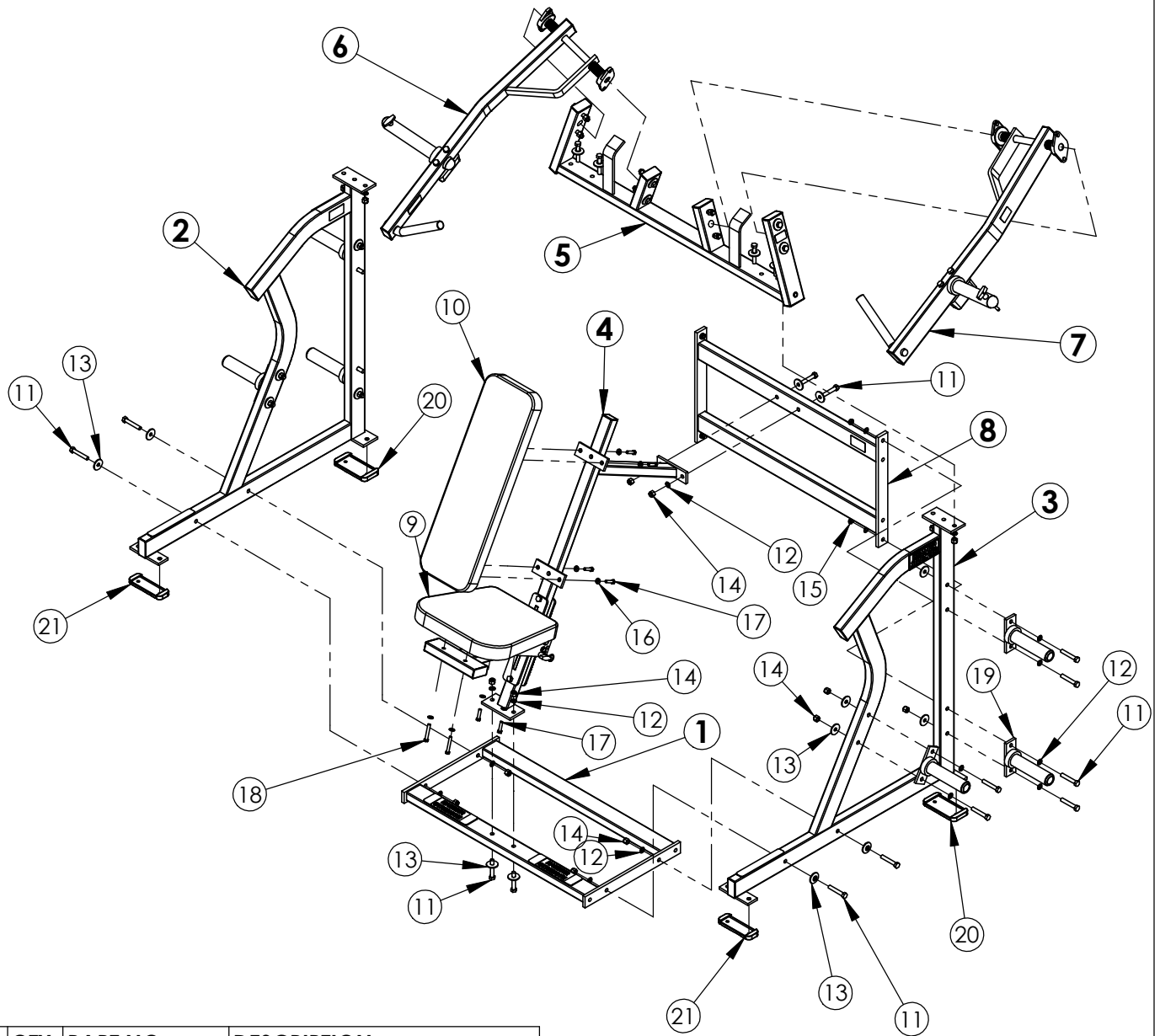


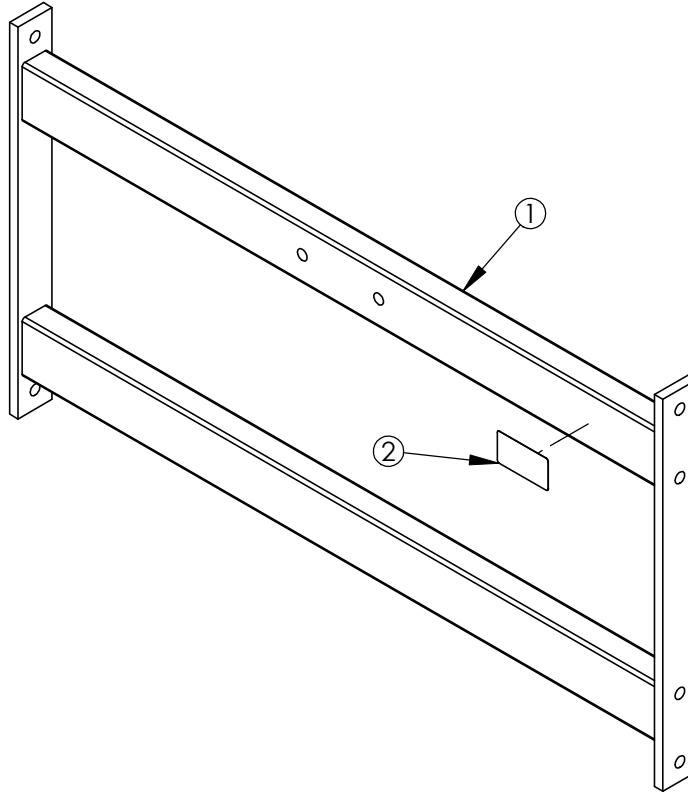
WEIGHT = 318.4 lb
LENGTH = 50"
WIDTH = 59"
HEIGHT = 60"

HAMMER STRENGTH EQUIPMENT ILFMP EXPLODED



ITEM NO.	QTY.	PART NO.	DESCRIPTION
1	1	ILFMP-CFX-0	ASSY, ILFMP, FLOOR FRAME
2	1	ILFMP-CSFR-1	ASSY, ILFMP, RIGHT SIDE FRAME
3	1	ILFMP-CSFL-1	ASSY, ILFMP, LEFT SIDE FRAME
4	1	ILFMP-CST-0	ASSY, ILFMP, SEAT FRAME
5	1	ILFMP-CTX-0	ASSY, ILFMP, WORKBOX
6	1	ILFMP-CMAR-2	ASSY, ILFMP, RIGHT MARM
7	1	ILFMP-CMAL-2	ASSY, ILFMP, LEFT MARM
8	1	ILFMP-CBX-0	ASSY, ILFMP, BACK FRAME
9	1	U-16-11	16X11 PAD
10	1	U-33-19	BACK PAD
11	24	HHB.5X3	1/2 X 3 BOLT
12	28	WASH.5STAR	1/2" INTERNAL LOCK WASHER
13	20	H-BACK-WASH	BACKING WASHER
14	20	NUT.5LOCK	1/2 DIA THICK LOCK NUT
15	4	NUT.5JAMLOCK	1/2 THIN LOCK NUT
16	8	WASH.375SAE	3/8" SAE FLAT WASHER
17	6	HHB.375X1.5	STEEL BOLT 3/8 X 1.5
18	2	HHB.375X2.5	STEEL BOLT 3/8 X 2.5
19	6	H-HORN-ASSY	ASSY, WEIGHT HORN
20	2	MM-9	3 X 6 FLANGE RUBBER SLIPPER
21	2	MM-8	2 X 6 FLANGE RUBBER SLIPPER

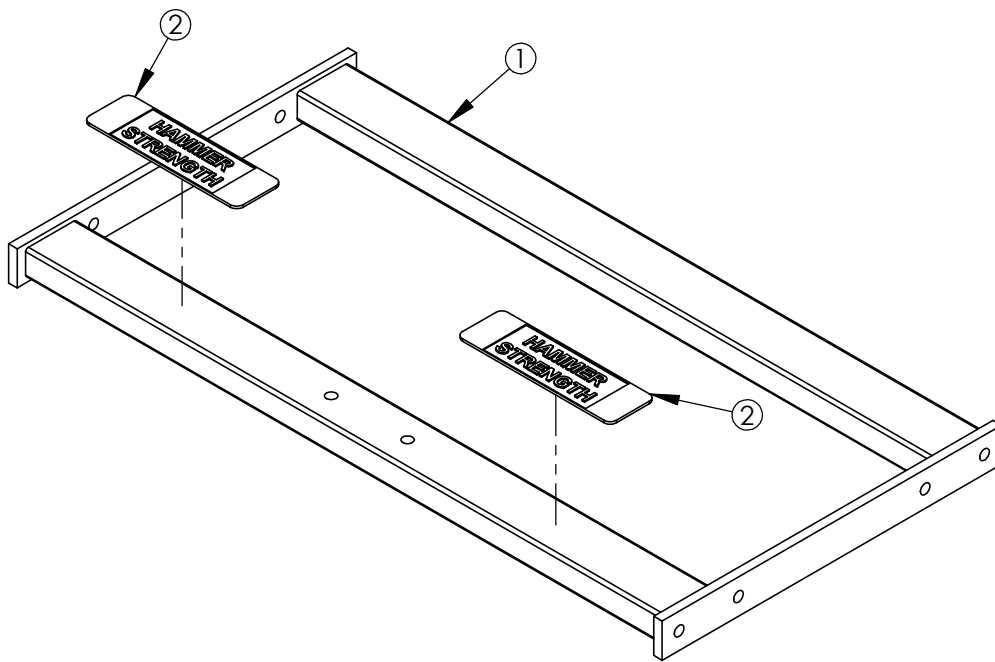
HAMMER STRENGTH EQUIPMENT
ILFMP-CBX-0: ASSY, ILFMP, BACK FRAME



WEIGHT = 33lb
 LENGTH = 20"
 WIDTH = 38 1/2"
 HEIGHT = 2"

ITEM NO.	QTY.	PART NO.	DESCRIPTION
1	1	ILFMP-BX-0	WLDMT, ILFMP, BACK FRAME
2	1	PATENT	PATENT DECAL

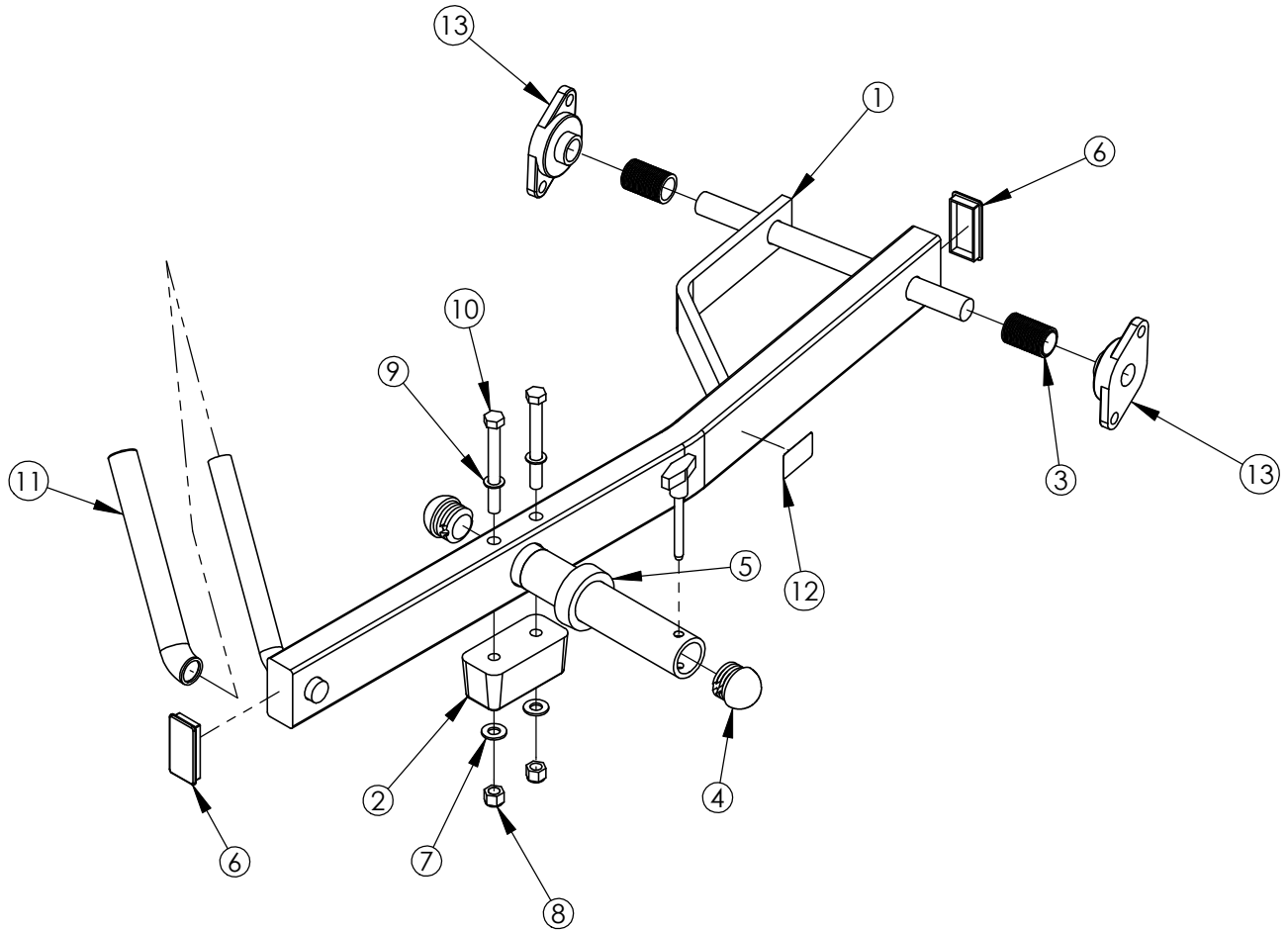
HAMMER STRENGTH EQUIPMENT
ILFMP-CFX-0: ASSY, ILFMP, FLOOR FRAME



WEIGHT = 34 lb
 LENGTH = 20"
 WIDTH = 38 1/2"
 HEIGHT = 2"

ITEM NO.	QTY.	PART NO.	DESCRIPTION
1	1	ILFMP-FX-0	WLDMT, ILFMP, FLOOR FRAME
2	2	H-NONSKID 3X9	PLASTIC NON SKID STRIP 3 X 9

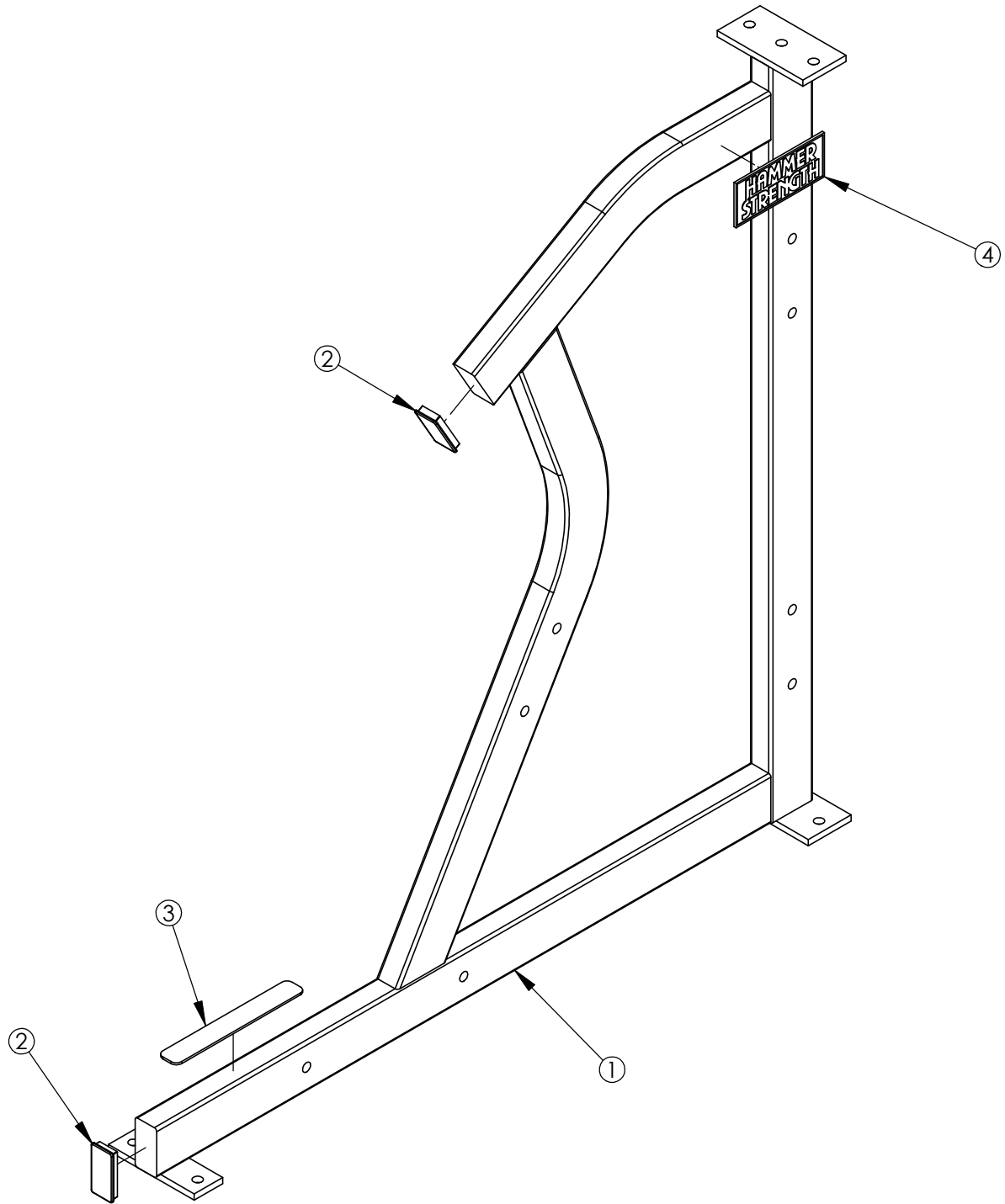
HAMMER STRENGTH EQUIPMENT
ILFMP-CMAL-2: ASSY, ILFMP, LEFT MARM



ITEM NO.	QTY.	PART NO.	DESCRIPTION
1	1	ILFMP-MAL-1	WLDMT, ILFMP, LEFT MOVEMENT ARM
2	1	H-BUMP-MED	MM2 MEDIUM
3	2	ACCORDIAN	SHAFT GUARD
4	2	RUBCAP1-2	RUBBER CAP #1
5	1	H-RUBRNG	MM5 RING
6	2	RC1530-1Q1	CAP:1-1/2 X 3 RECTANGLE PLUG
7	2	WASH.5SAE	1/2" SAE FLAT WASHER
8	2	NUT.5LOCK	1/2 DIA THICK LOCK NUT
9	2	WASH.5STAR	1/2" INTERNAL LOCK WASHER
10	2	HHB.5X4.5	1/2 X 4 1/2 BOLT
11	1	H-GRIP	HANDLE GRIPS (.938X16)
12	1	STAY CLEAR	STAY CLEAR DECAL
13	2	H-BEAR-SML	SMALL BEARING
14	1	SELECTOR PIN-3	SELECTOR PIN 3 IN.

WEIGHT = 28.7 lb
 LENGTH = 42"
 WIDTH = 24"
 HEIGHT = 10"

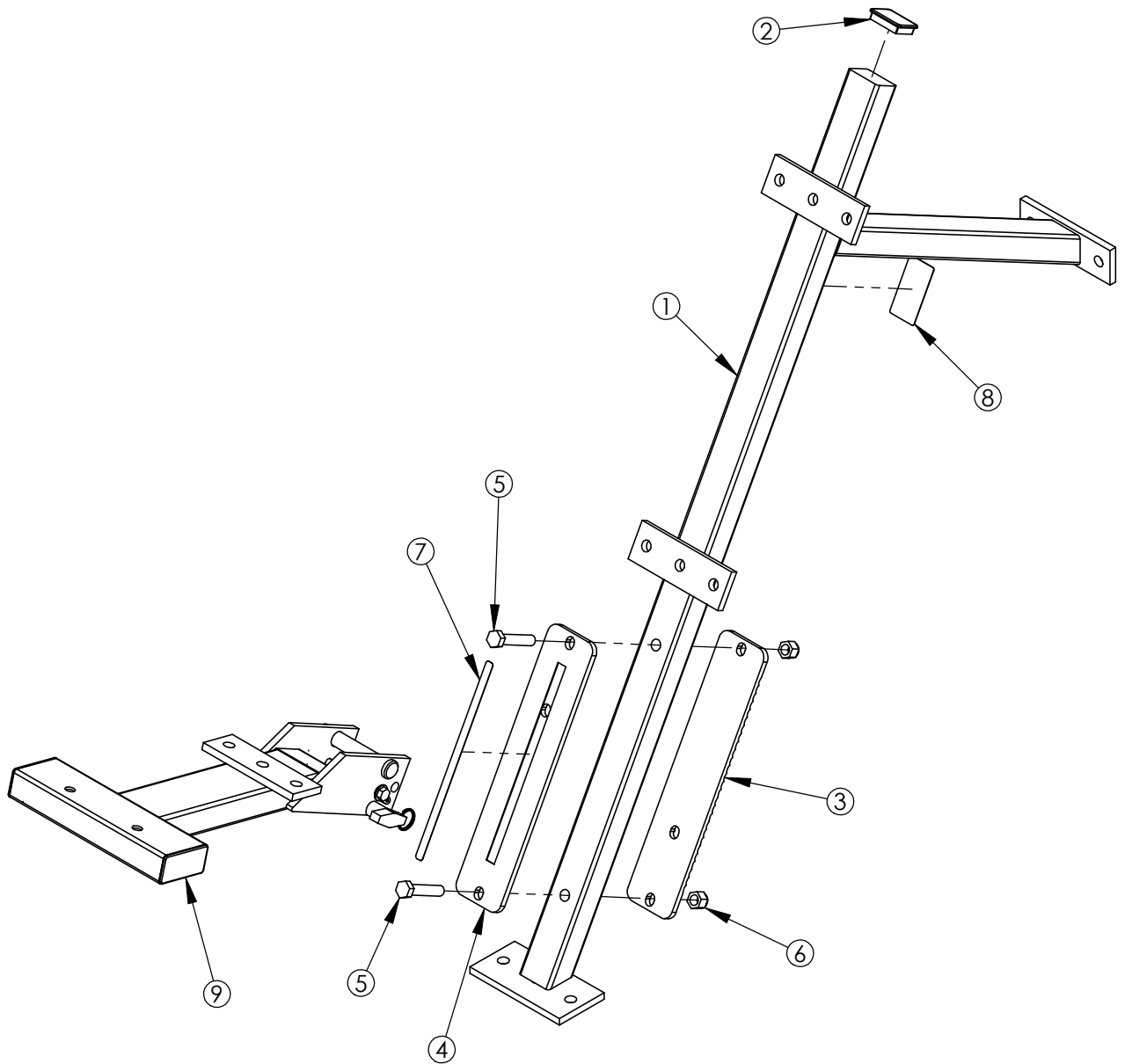
HAMMER STRENGTH EQUIPMENT
ILFMP-CSFL-1: ASSY, ILFMP, LEFT SIDE FRAME



ITEM NO.	QTY.	PART NO.	DESCRIPTION
1	1	ILFMP-SF-0	WLDMT, ILFMP, SIDE FRAME
2	2	RC1530-1Q1	CAP:1-1/2 X 3 RECTANGLE PLUG
3	1	NONSKID 1 X 9	PLASTIC NON SKID STRIP 1 X 9
4	1	H-NAME PLATE	NAMEPLATE (45156-P)

WEIGHT = 44 LB
 LENGTH = 47"
 WIDTH = 6"
 HEIGHT = 47"

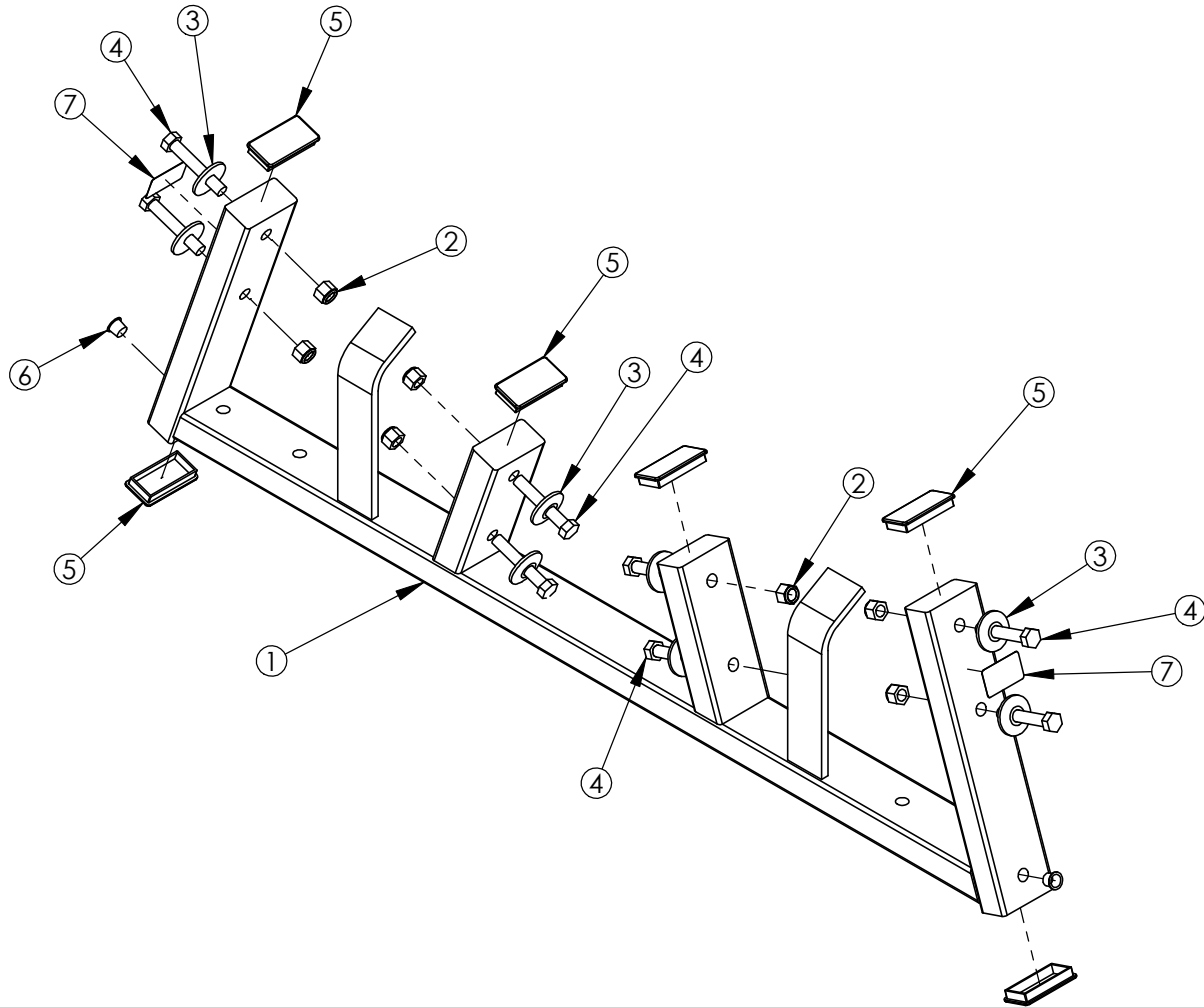
HAMMER STRENGTH EQUIPMENT
ILFMP-CST-0: ASSY, ILFMP, SEAT FRAME



ITEM NO.	QTY.	PART NO.	DESCRIPTION
1	1	ILFMP-ST-0	WLDMT, ILFMP, SEAT FRAME
2	1	RC1520-1Q1	CAP:1-1/2 X 2 RECTANGLE PLUG
3	1	H-SEATRCKS-RIB	SEATRACK BACK
4	1	H-SEATRCKS-N	PLASTIC SEAT GUIDES(PP229)NEW)
5	2	HHB.5X2.5	1/2 X 2 1/2 BOLT
6	2	NUT.5LOCK	1/2 DIA THICK LOCK NUT
7	1	SEAT NUMBER	SEAT ADJ. NUMBER
8	1	SERIAL NUMBER	SERIAL NUMBER
9	1	CSTD-ST3-1	ASSY, STD SEAT #3

WEIGHT = 30 LB
 LENGTH = 48"
 WIDTH = 10 1/4"
 HEIGHT = 49"

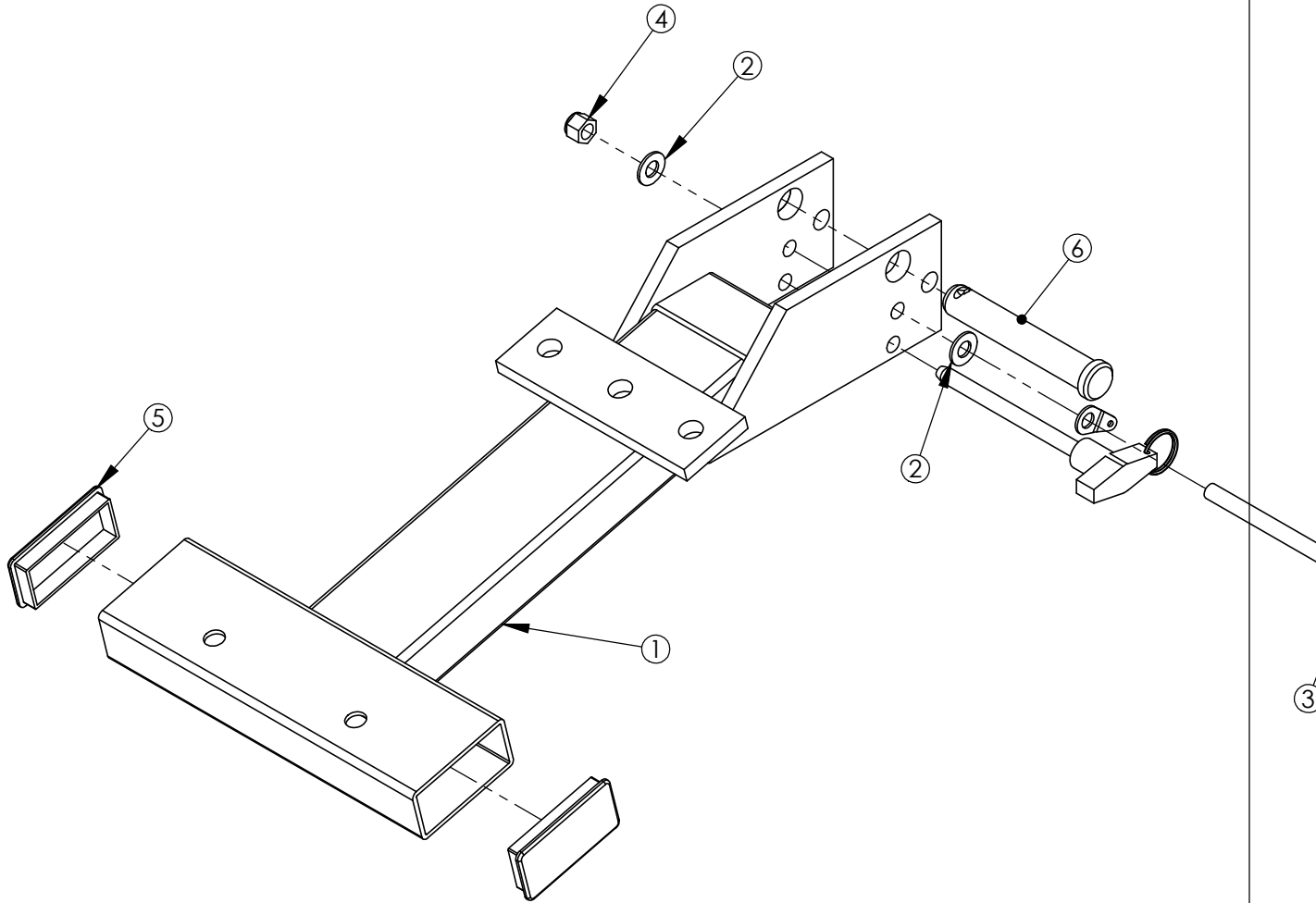
HAMMER STRENGTH EQUIPMENT
ILFMP-CTX-0: ASSY, ILFMP, WORKBOX



ITEM NO.	QTY.	PART NO.	DESCRIPTION
1	1	ILFMP-TX-0	WLDMT, ILFMP, WORKBOX
2	8	NUT.5LOCK	1/2 DIA THICK LOCK NUT
3	8	H-BACK-WASH	BACKING WASHER
4	8	HHB.5X3	1/2 X 3 BOLT
5	6	RC1530-1Q1	CAP:1-1/2 X 3 RECTANGLE PLUG
6	2	H-HPLUG (REG)	9/16IN HOLE PLUG
7	2	STAY CLEAR	STAY CLEAR DECAL

WEIGHT = 34 LB
 LENGTH = 51"
 WIDTH = 14"
 HEIGHT = 3"

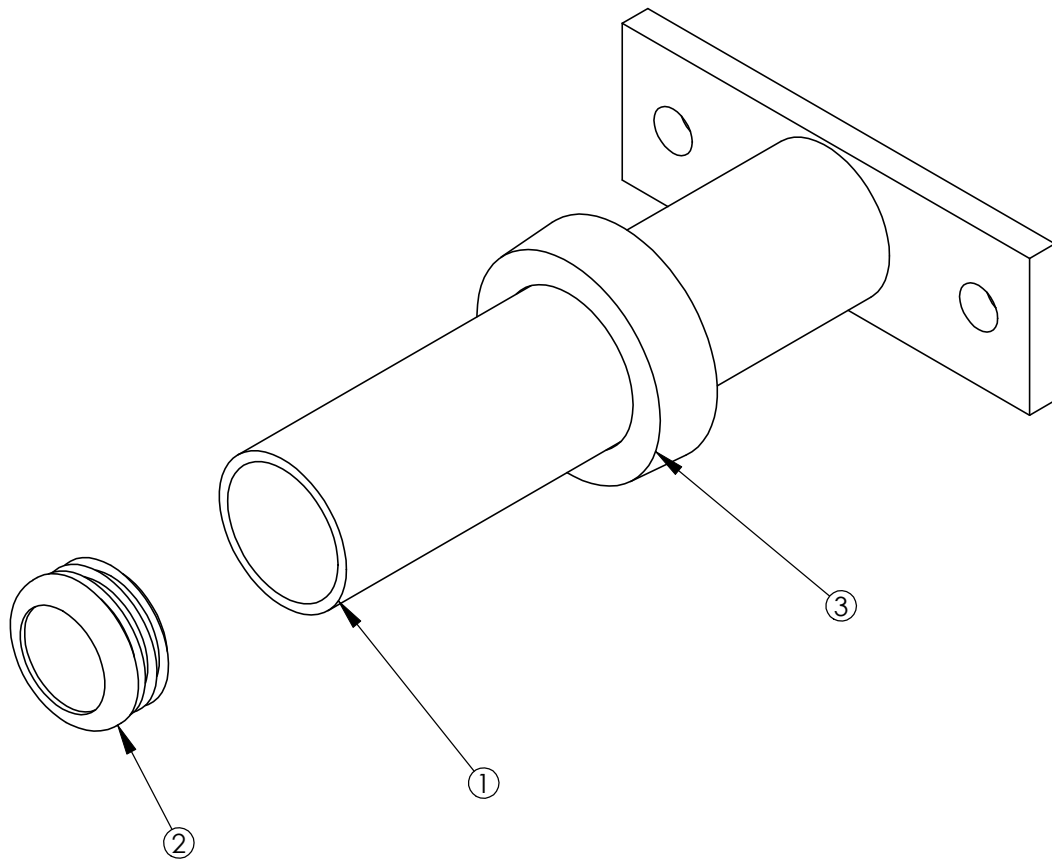
HAMMER STRENGTH EQUIPMENT
CSTD-ST3-1: ASSY, STD SEAT #3



ITEM NO.	QTY.	PART NO.	DESCRIPTION
1	1	STD-ST3	Standard Seat 3
2	2	WASH.375SAE	3/8" SAE FLAT WASHER
3	1	HHB.375X4.5	STEEL BOLT 3/8 X 4.5
4	1	NUT.375LOCK	3/8 THICK LOCK NUT
5	2	RC1530-1Q1	CAP:1-1/2 X 3 RECTANGLE PLUG
6	1	STD SEAT PIN	LONG SEAT PIN (HDADJ)
7	1	SELECTPIN	ASSY, STD SEAT SELECTOR PIN

WEIGHT = 13 lb
 LENGTH = 20 1/2"
 WIDTH = 10 1/4"
 HEIGHT = 4 1/4"

HAMMER STRENGTH EQUIPMENT
H-HORN-ASSY: WEIGHT HORN ASSEMBLY



ITEM NO.	QTY.	PART NO.	DESCRIPTION
1	1	H-HORN	WLDMT, WEIGHT HORN
2	1	8078001	CAP, END 1.75 DIA RD 14-20 GA
3	1	H-RUBRNG	MM5 RING

WEIGHT = 3 1/4 lb
 LENGTH = 8 5/8"
 WIDTH = 6"
 HEIGHT = 3"